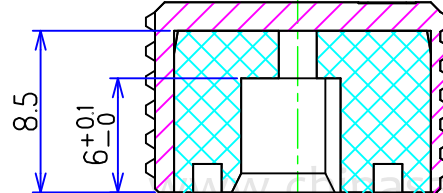
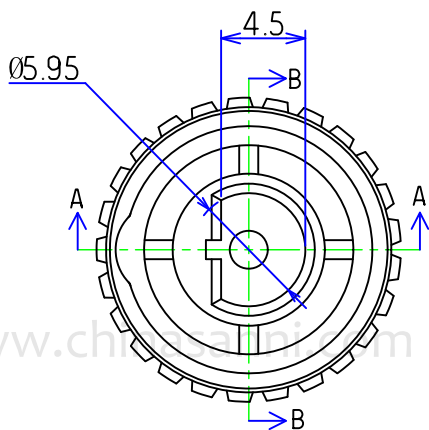
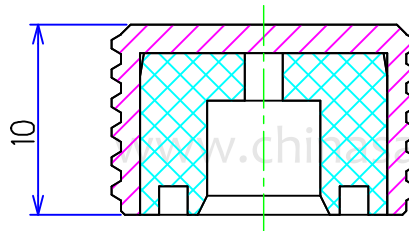
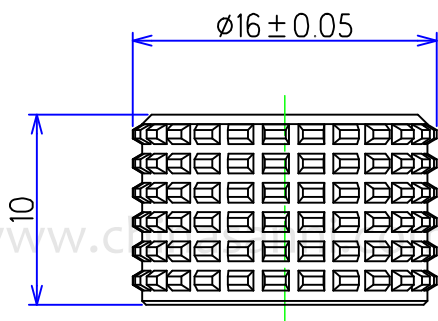




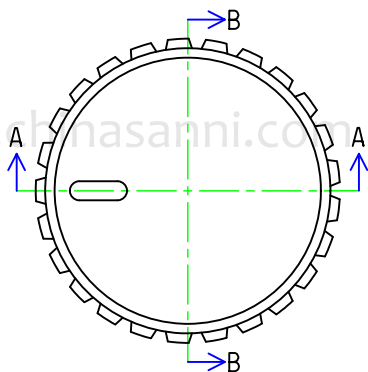
⊙	0.02
≡	0.02



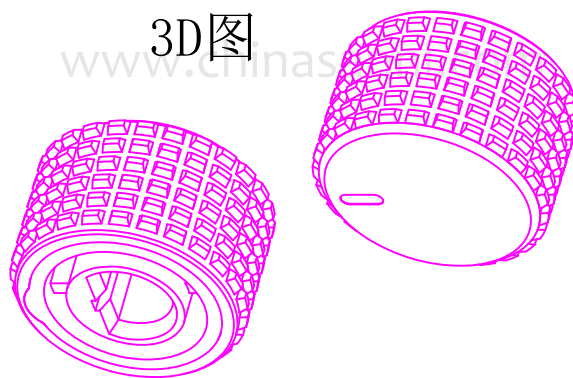
A-A剖视图



B-B剖视图



3D图



技术要求:

1. 可靠性测试: 盐雾48H (详见可靠性清单)
2. 产品外观要求: 产品洁净, 表面无拉伤, 碰痕, 污渍等缺陷;
3. 要求所有材料无毒, 符合ROHS、CPSIA、REACH标准出美国的要求: TSCA

Material No. 铝材+PC				Dispose: 氧化+镭雕		S:	D:	V:	M:
△				TOL UNLESS OTHERWISE STATED		DESIGNED	CHECKED		
△				BASIC DIMENSION	TOLERANCE		SANNI ELECTRONIC TECHNOLOGY		
△				Less than 1.00	±0.01				
△				1.00-less than 10.0	±0.015	DRAWING No.	Model No.	XN-215-FB	
△				10.0-less than 50.0	±0.05	UNIT mm Edition A1.0	Document No.	XN-215 旋钮	
SYMB	REVISION	DATE	APPROVED	ANGLE	±5°	SCALE 3:1 2024-05/06			